

HEADSAIL MEASUREMENT SHEETS (3)

Rig dimensions in metres:

Foretriangle: I J

Foretriangle: Is Js

Forestay max to tack on deck or r/f tack

Inner forestay to tack on deck or r/f tack

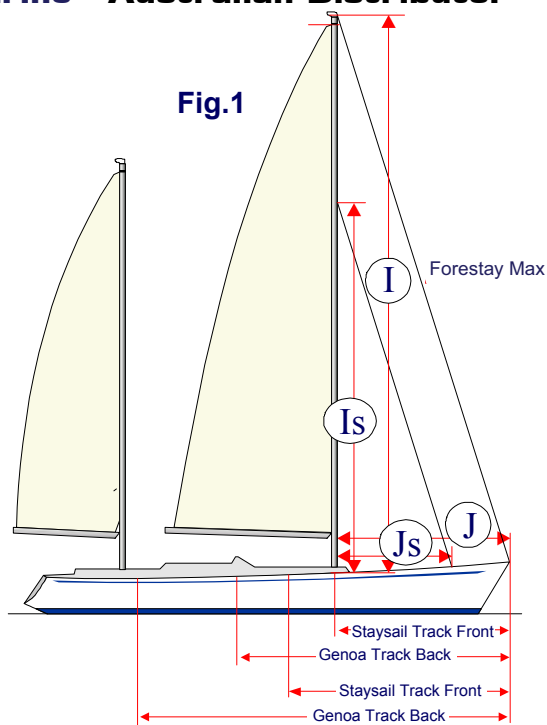
Genoa track: front back

Staysail track: front back

Fairlead from bow forestay: Genoa

Staysail

DG Marine - Australian Distributor



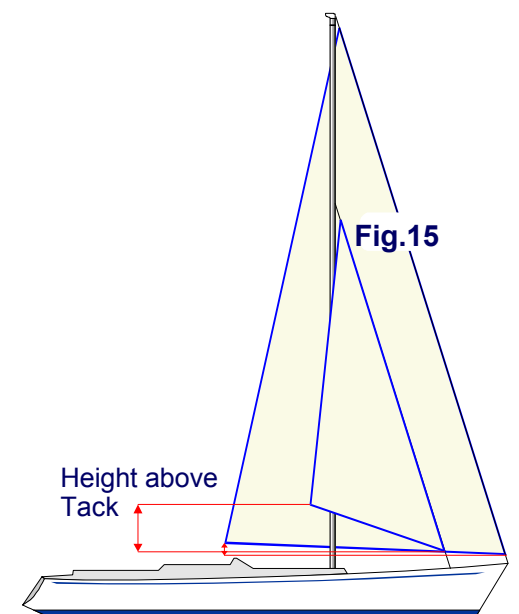
FAIRLEAD POSITION (See Fig. 1):

Please provide the measurement from the tack position to the front of the track and to the back (aft end) of the track.

If the fairlead is fixed then from the tack position to the fairlead.

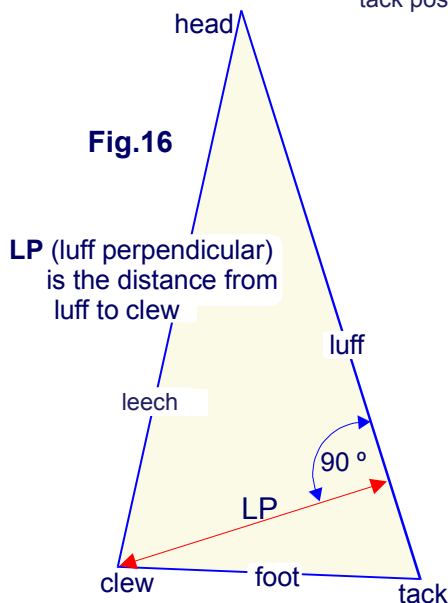
SAIL SPEC: Inshore Coastal Offshore Performance

SAIL MEASUREMENT OPTIONS : We can design your sail or you can give us your design requirements.



Clew height above Tack: (Fig 15.) Genoa

Staysail





OPTION 2: LUFF and LEACH and FOOT LENGTHS

If you would like to have the sail in accordance with your own design or the same as an existing sail, then please complete the boxes, in the section below, for luff, leech and foot. You can specify cloth weight or we can give you our recommendation.

(A: Luff for roller furling sails = max. length shackle to shackle **Fig 2**)

CHOOSE ONE SAIL TYPE ONLY Genoa No.: Jib/Yankee Staysail Storm Jib

Luff m Leech m Foot m LP m Weight oz Area m²

Sailcloth: Standard is **Dacron** or: **High Aspect** or **Cruising Laminate**

Cut: Standard is **Crosscut** or: **Two-ply Leach** or **Bi-radial**

or: **Tri-radial** or : **Crescent Cut**

Notes:

Sail Number: No. Flo Stripe: Colour:

Standard: we deliver the sail with a clew ring **see sail specification**

Optional clew with a pressed eye

HANKS: Forestay diameter: mm

Roller Furl System **Make:**

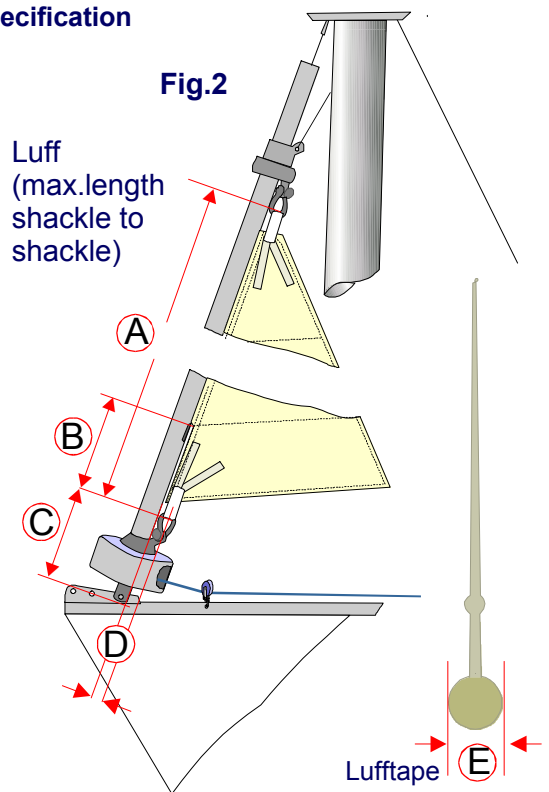
Model No.

B : Sail insertion height = mm

C : Deck to top of shackle = mm

D : Back of profile to centre eye / shackle (Tack Set Back) = mm

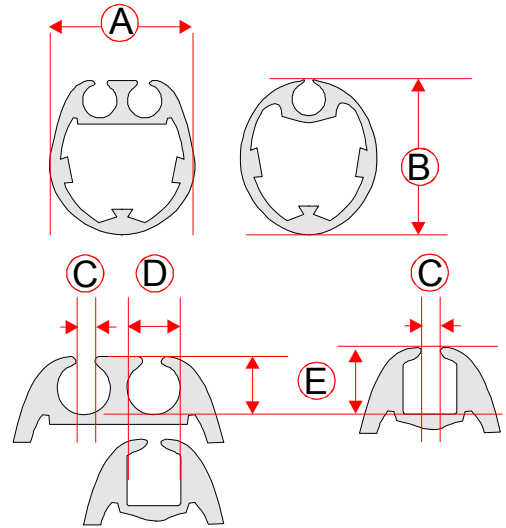
E : Diameter of lufftape Ø = mm





If you do not know the **Make** and **Model No.** of the Roller Furling System please complete the following :

- A : Width of profile = mm
- B : Depth of profile = mm
- C : Width of slit = mm
- D : Inner width of groove (Biggest drill bit t = mm
- E : Total depth of groove = mm



Extras

Luff foam required?

UV Suncover required? On which Side?

Material : 5 oz Sailcloth (white only) or 9 oz US Sunbrella, Colour:

Owner

Tel **Fax** **e-mail**

Postal Address

Delivery Address

Boat name

Boat type and Make

Length **Weight**

Other comments

DATE