



Standard MAINSAIL OR MIZZEN MEASUREMENT SHEETS (3)

Rig dimensions in metres:

Main: P E

Mizzen: Py Ey

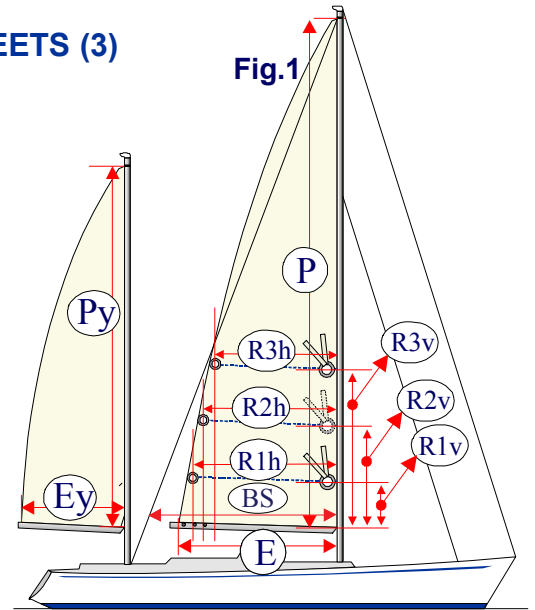
Back Stay: Back of mast to back stay at boom level. (BS) mm

Mast Crane or: Tri-radial Y/N or Crescent Cut Y/N

Backstay adjustable: Y/N Mast: straight / curved

Max. Curvature mm Position Half Height P? Y/N

Notes:



Dimension of Main or Mizzen in metres:

Mainsail: Luff Leech Foot

Mizzen: Luff Leech Foot

Sailcloth: Standard is **Dacron** Y/N or: **High Aspect** Y/N or **Cruising Laminate** Y/N

Cut: Standard is **Crosscut** Y/N or: **Two-ply Leach** Y/N or **Bi-radial** Y/N

SAIL SPEC: Inshore Coastal Offshore Performance

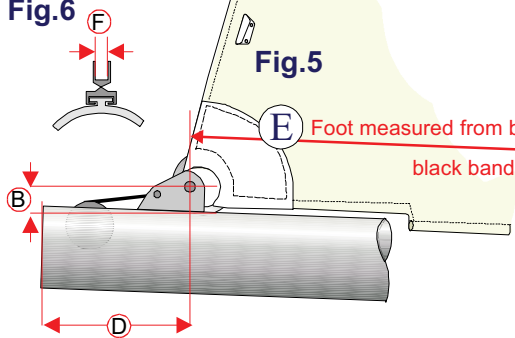
A :Back of mast to centre bolt = mm Reefing hook: Y/N H :Back of mast to reefing hook = mm

E :Top of boom to centre bolt = mm I : Top of boom to reefing hook = mm

C :Top of boom to sail insertion = mm G :Width of tack eye = mm

Outhaul Car: Y/N

Fig.6

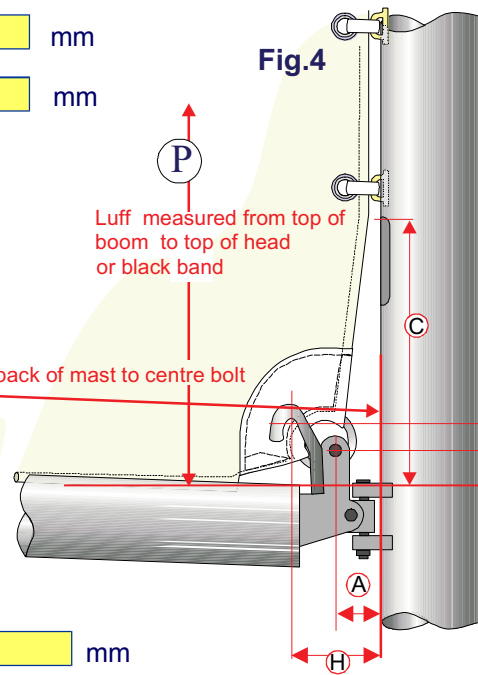


B :Top of boom to centre bolt of outhaul car = mm

F :Width of outhaul pulley/shackle = mm

D :End of boom to centre bolt = mm

Fig.4



Luff measured from top of boom to top of head or black band

Fig.5

Foot measured from back of mast to centre bolt

black band

Fig.7

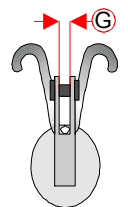
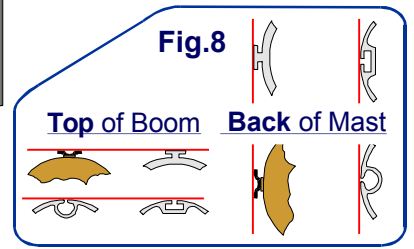


Fig.8





Sail Number: **Y/N** No. Flo Stripe: **Y/N** Colour: black / blue / red

Class Insignia or Logo: **Y/N** Colour: black / blue / red Cunninghamham: **Y/N**

Are batcars used **Y/N** If yes, Make **Main or Mizzen i** Model # **Main or Mizzen i**

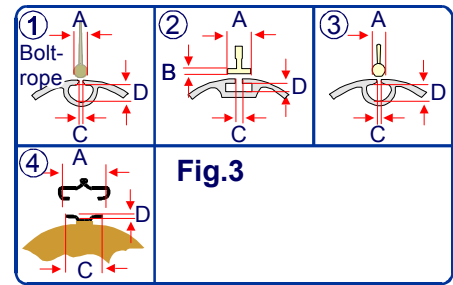
For other luff systems see - **Fig. 3**

LUFF attached to mast with : 1 (boltrope) or ②③④ in **Fig. 3**

A= mm B= mm C= mm D= mm
Slide model No.: Length mm

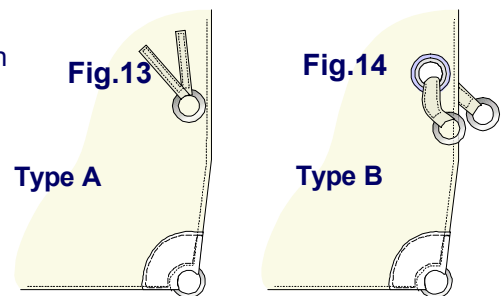
FOOT attached to boom with: loose foot: **Y/N**
or 1 (boltrope) or ② ③ ④ in Fig. 3

A= mm B= mm C= mm D= mm
Slide model No. Length mm



Mast (make):

Remarks: If you have reefing hooks on your gooseneck fitting as shown in **Fig 4 and 7**, we fit standard reefing rings on the sail - see **Fig 13**.
If you have no reefing hooks on your gooseneck fitting we can fit a pressed eye with webbing band and two s/s rings - see **Fig 14**.



Type of fitting : **A** **Y/N** **B** **Y/N** (no extra charge)

We can design standard reefing positions, or you can specify by giving us the following information - see **Fig.1**

No. of reefs Side for reefing ring : 1st **P / Stb** 2nd **P / Stb** 3rd **P / Stb**

Horizontal priority if reefing points on boom are fixed (Back of mast to centre reefing eye leech) R1h m R2h m R3h m

Vertical priority if reefing points on boom are variable (Top of boom at gooseneck to centre of reefing eye in luff) R1v m R2v m R3v m

Battens: All full **Y/N** Part short part full **Y/N**

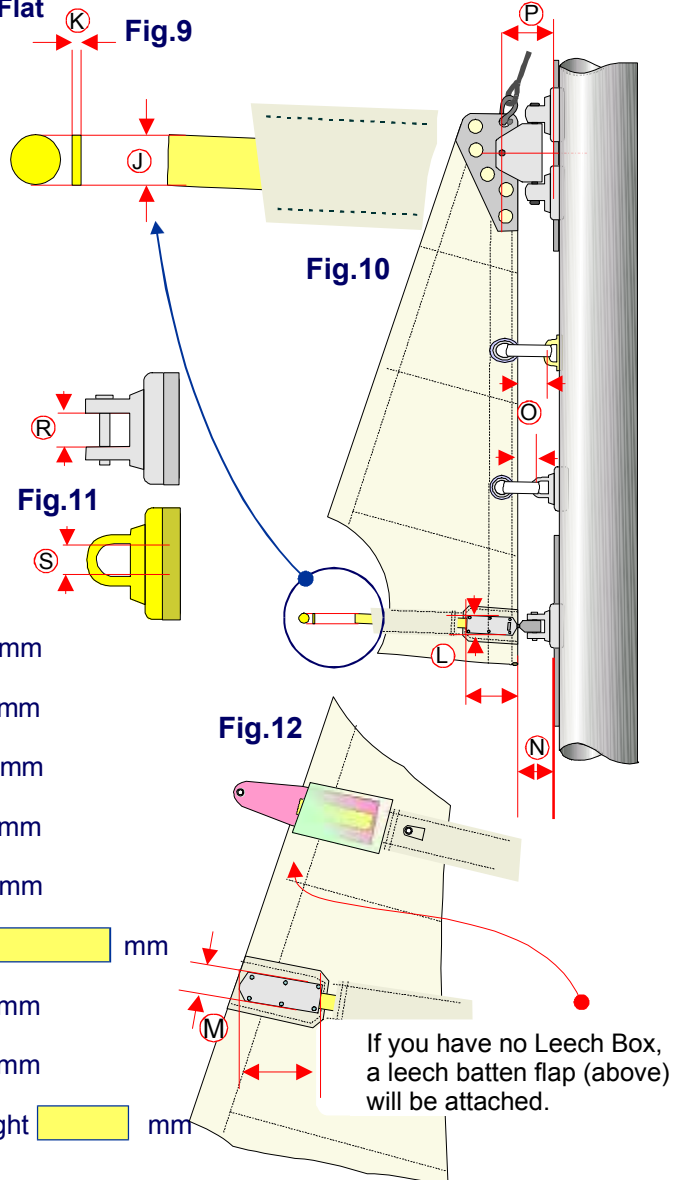
Notes:

If you wish to use the existing luff fittings and battens, we require the following information:

Length of each batten (from top to bottom) Round or Flat
 Only complete this section (1 - 6) if you wish to re-use your existing battens.

| | | | | | | | | | | |
|---|----------------------|----|---|----------------------|----|---|----------------------|----|----------------------|---------|
| 1 | <input type="text"/> | cm | J | <input type="text"/> | mm | K | <input type="text"/> | mm | <input type="text"/> | R / FL. |
| 2 | <input type="text"/> | cm | J | <input type="text"/> | mm | K | <input type="text"/> | mm | <input type="text"/> | R / FL. |
| 3 | <input type="text"/> | cm | J | <input type="text"/> | mm | K | <input type="text"/> | mm | <input type="text"/> | R / FL. |
| 4 | <input type="text"/> | cm | J | <input type="text"/> | mm | K | <input type="text"/> | mm | <input type="text"/> | R / FL. |
| 5 | <input type="text"/> | cm | J | <input type="text"/> | mm | K | <input type="text"/> | mm | <input type="text"/> | R / FL. |
| 6 | <input type="text"/> | cm | J | <input type="text"/> | mm | K | <input type="text"/> | mm | <input type="text"/> | R / FL. |

J: (Fig 09) Height / Diameter of Batten = mm
 K: (Fig 09) Width of Batten = mm
 L: (Fig 10) Luff Box Length Height mm
 N: (Fig 10) Back of mast to luff = mm
 O: (Fig 10) Centre axle slide to luff = mm
 P: (Fig 10) Back of mast to centre hole of headboard = mm
 R: (Fig 11) Available width for webbing = mm
 S: (Fig 11) Available width for fitting = mm
 M: (Fig 12) Leech Box Y / N = Length Height mm



Owner

Tel **Fax** **e-mail**

Postal Address

Delivery Address

Boat name

Boat type and Make

Length **Weight**

Other comments

DATE